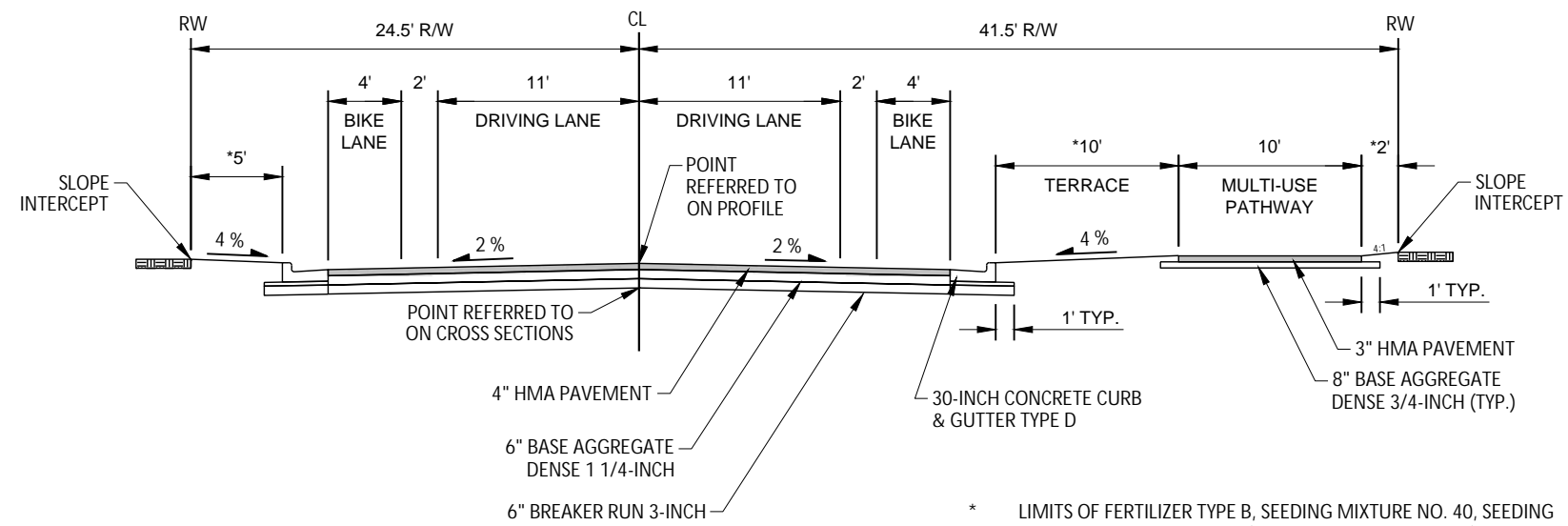


FITCHRONA ROAD
 TONTO TRAIL TO LACY ROAD
 STA 63+50 - STA 82+00

- * LIMITS OF SEEDING MIXTURE NO. 20, SEEDING TEMPORARY, MULCHING & FERTILIZER TYPE B (AS DIRECTED BY ENGINEER)
- ** LIMITS OF SALVAGED TOPSOIL (AS DIRECTED BY ENGINEER)



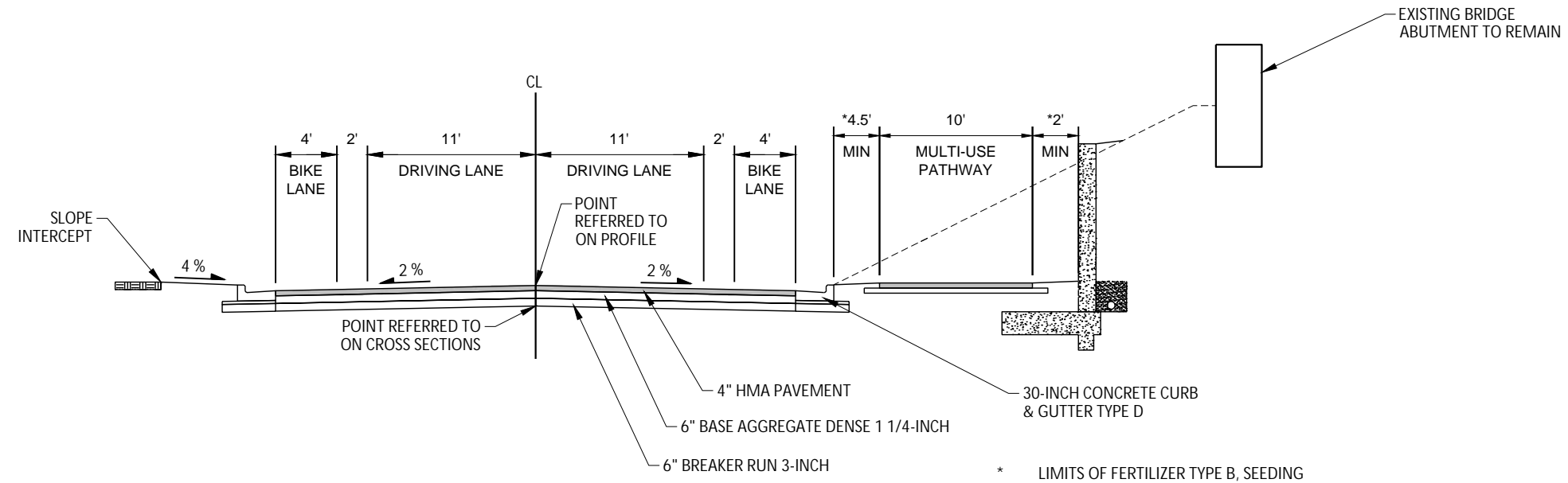
FITCHRONA ROAD
 LACY ROAD TO NESBITT ROAD
 STA 82+00 - STA 108+00

- * LIMITS OF FERTILIZER TYPE B, SEEDING MIXTURE NO. 40, SEEDING TEMPORARY, AND TOPSOIL (AS DIRECTED BY ENGINEER)

TYPICAL SECTIONS
 FITCHRONA ROAD

PROJECT NO.:	60703122
SHEET NO.:	XXX
SCALE:	1 IN:10 FT
DATE:	4/13/2023
REVISION:	100% PLAN SET

File: C:\WisDOT\Staltemp\AcPublish_11156\020301-ls.dwg Layout: 020302-ls User: czecha Plotter: Apr 24, 2023 - 12:56pm

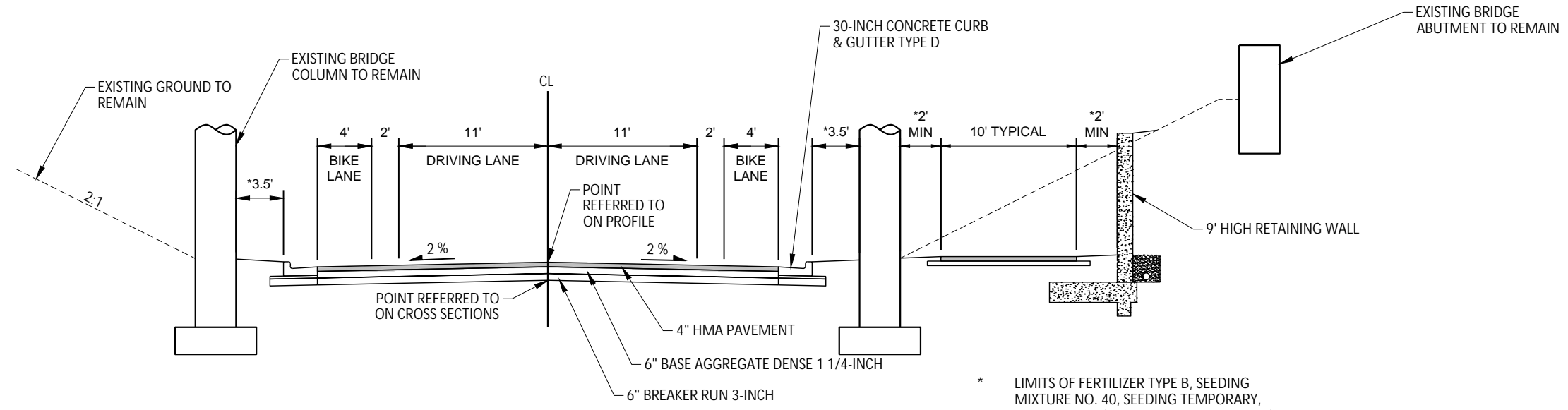


FITCHRONA ROAD
 UNDER MILITARY RIDGE STATE TRAIL
 STA 101+25 - STA 101+75

* LIMITS OF FERTILIZER TYPE B, SEEDING MIXTURE NO. 40, SEEDING TEMPORARY, AND TOPSOIL (AS DIRECTED BY ENGINEER)

TYPICAL SECTIONS
FITCHRONA ROAD

PROJECT NO.:	60703122	SCALE:	1 IN:10 FT
SHEET NO.:	XXX	DATE:	4/13/2023
		REVISION:	100% PLAN SET



* LIMITS OF FERTILIZER TYPE B, SEEDING MIXTURE NO. 40, SEEDING TEMPORARY, AND TOPSOIL (AS DIRECTED BY ENGINEER)

FITCHRONA ROAD
 UNDER VERONA ROAD
 STA 102+75 - STA 104+75

TYPICAL SECTIONS
 FITCHRONA ROAD

PROJECT NO.:	60703122	SCALE:	1 IN:10 FT
SHEET NO.:	XXX	DATE:	4/13/2023
		REVISION:	100% PLAN SET

